

TWO POST BASEPLATE LIFT

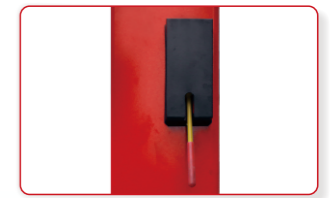
AMGO BP series baseplate two post lifts are stronger and more convenient to operate than most of the lifts in the world.



BP-9X

Main Features

- ✓ 9,000 lbs capacity, commercial grade 2-post base plate lift is designed and built for professional shops and home garages to fit low ceiling workshop environment without overhead obstructions
- ✓ Single-point safety release allows the operator to unlock the safety locks from both columns simultaneously. There is also a dual locking system for additional safety.
- ✓ 4 three-stage arms are suitable for more vehicles.
- ✓ Automatic arm restraints keep the arms locked in their proper positions.
- ✓ Self-lubricating UHMW Polyethylene sliders and bronze bush.
- ✓ Aircraft quality cable is used for synchronization.
- ✓ Detachable foot guard and tool tray allow for a clutter free workspace.



Single-point safety release makes it easier for operators to unlock both column locks from one column.



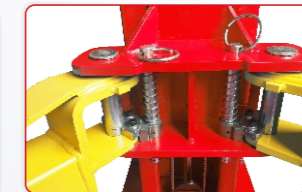
Two locks, one release. Only available from AMGO.



Optional saddle adapter. kits No. for light truck:20802 kits No. for heavy-duty truck:21103



The stackable rubber pads package with 1.5", 2.5", 5" extension adapters.

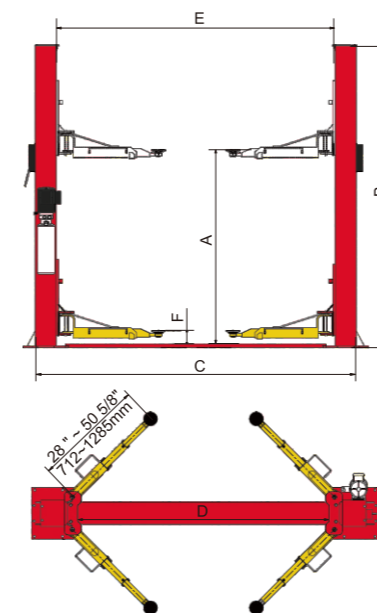


Automatic arms restraints and release.



4 three-stage arms are suitable for more vehicles.

SPECIFICATIONS



Model	BP-9X	
Lifting Capacity	9,000lbs (4000kg)	
Lifting Time	49S	
Lifting Height	A	76 3/8" ~ 85 3/8" (1940 ~ 2169mm)
Overall Height	B	111 7/8" (2841mm)
Overall Width	C	136 1/4" (3460mm)
Drive-Thru Clearance	D	100 3/4" (2560mm)
Width Between Columns	E	112 1/4" (2850mm)
Minimum Pad Height	F	3 1/2" (90mm)
Gross Weight	1,590lbs (721kg)	
Motor	2.0HP,220V/60Hz,single phase	

AMGO HYDRAULIC CORPORATION

SC Division: 1931 Joe Rogers Jr Blvd, Manning, SC 29102, USA
Tel:(803)505-6410

TX Division: 4310 Adler, Suite 200, Dallas, TX 75211, USA